



CORYELL COUNTY
ROAD AND BRIDGE DEPARTMENT
Justin Latham, Road Administrator
3701 US Hwy 84 W, Gatesville, Texas 76528
Phone: (254)865-5021 Fax: (254)865-6729
Email: Justin.Latham@CoryellCountytx.gov

INVITATION TO BID

ITEM: Bridge Bid
BID NUMBER: CCRB 2026-04

Date of Opening: April 24, 2026 @ 9:00 am
Location: Coryell County Main St. Annex
800 East Main St. Suite A, Gatesville, TX 76528

Date of Award: April 28, 2024 @ 9:00 am
Location: Coryell County Commissioners' Court Room
801 East Leon St., Gatesville, TX 76528

Period of Contract: April 14, 2026 – April 14, 2027

GENERAL CONDITIONS/INSTRUCTIONS

1. Bids are solicited for furnishing the materials set forth in this invitation to bid. Completed bid proposals must be received in the **Coryell County Judge's Office, 800 East Main St., Suite A, Gatesville, Tx 76528** by the deadline stated above. *All bids must be in a sealed envelope clearly marked with the bid number and opening date on the outside of the envelope.*
2. Bids received in the Coryell County Judge's Office after the submission deadline shall be returned unopened and will be considered void and unacceptable. Coryell County is not responsible for delayed mail, carrier, etc. and the time/date stamp clock used upon receipt of any bid in the purchasing office shall be the official time of receipt. **No fax bids will be accepted.**
3. Bids may be withdrawn at any time prior to the official opening. Alterations made before opening time must be initialed by bidder guaranteeing authenticity. After the official opening, bids may not be amended, altered or withdrawn without the recommendation of the Coryell County road administrator and the approval of the Commissioners Court.
4. The County reserves the right to accept or reject in part or in whole any bids submitted, and to waive any technicalities related to the bidding process for the benefit of the County, granted that such waiver is allowed under federal and state laws.

5. Invoices shall be sent directly to the Coryell County Road & Bridge Department, Road Administrator, 3701 US Hwy 84 W, Gatesville, TX. 76528. Payments will be processed after confirmation that all materials have been received satisfactorily and no unauthorized materials have been received.
6. Coryell County terms of invoice are net thirty (30) days from statement date.
7. The County may extend the contract associated with an accepted bid provided that all terms and conditions of the contract remain unchanged and in full force and effect. Exceptions to this section shall be made for extensions of the contract period and adjustment of any price cited in the contract. The County's option to renew shall be in writing and shall be signed by both parties prior to the expiration of this contract. The normal extension period shall be in one (1) year increments. The total period of this contract, including all extensions as a result of exercising this option may not exceed a maximum combined period of original contract period plus (2) years.
8. If this bid is accepted and approved by the Commissioners Court then this bid shall be incorporated into a contract. No oral agreements either expressed or implied shall be valid. No different or additional terms will become part of this contract unless agreed upon by both parties.
9. By accepting this invitation to bid and bidding on the item(s) set forth above you are accepting any and all of the general conditions set forth above and any additional specifications and conditions contained within the contract attached.



CORYELL COUNTY
ROAD AND BRIDGE DEPARTMENT
Justin Latham, Road Administrator
3701 US Hwy 84 W, Gatesville, Texas 76528
Phone: (254)865-5021 Fax: (254)865-6729
Email: Justin.Latham@CoryellCountytx.gov

CONTRACT

STATE OF TEXAS
COUNTY OF CORYELL

WHEREAS, The attached "Bid Package" which includes the **Invitation to Bid, General Conditions/Instructions, Specifications, Proposal, and Bid Sheet(s)** for the item(s) being published for competitive bid, were solicited pursuant to Texas Local Government Code 262.021; and

WHEREAS, the Coryell County Commissioners Court as the governing body of Coryell County did on _____, 20__ award a contract to _____ (Contractor/Bidder) for furnishing the materials, equipment, supplies and/or services in quantities and at prices as set forth in the above-attached Bid Package; and

THEREFORE, knowing all men by these present, that this contract is entered into by Coryell County, Texas (hereinafter called "County") and the undersigned Contractor (hereinafter called "Contractor" or "Bidder").

WITNESSETH

THAT IN ACCORDANCE with the above attached Bid Package in every particular, the Contractor will perform in accordance with the terms thereof and the County agrees to make payment for such items or services purchased on appropriate purchase orders in accordance with the items of said Bid Package which is made a part of this contract and incorporated herein for all purposes.

THAT IN ACCORDANCE with the attached the County's acceptance of equipment, supplies and services shall be contingent on (1) they conform, (2) they were delivered (if applicable), and (3) services have been satisfactorily performed in the sole determination of the County.

Prior Agreements Superseded

This Contract, with the entire Bid Package incorporated herein for all purposes, including any required supporting literature, brochures, and/or data sheets or sample, constitutes the sole agreements of the parties to the agreement and supersedes all oral or written previous and contemporary agreements between the parties and relating to matters herein. This contract along with the Bid Package shall be considered a "Contract associated with an accepted bid" as referenced in the Bid Package.

Amendment

No amendment, modification or alteration of the terms of this contract shall be binding unless same is in writing, dated subsequent to the date of this contract, and duly executed by an authorized representative of each party.

IN TESTIMONY WHEREOF: Witness our hands at Coryell County, Texas, effective as of the date awarded above, if any.

CONTRACTOR

CORYELL COUNTY

BY: _____
AUTHORIZED AGENT

BY _____
County Judge

ATTEST: _____
Coryell County Clerk

****Failure to sign the contract page(s) may disqualify the bid from being considered by the Commissioners Court. However, this contract is not valid until awarded in Commissioners Court and signed by both parties.**



CORYELL COUNTY
ROAD AND BRIDGE DEPARTMENT
Justin Latham, Road Administrator
3701 US Hwy 84 W, Gatesville, Texas 76528
Phone: (254)865-5021 Fax: (254)865-6729
Email: Justin.Latham@CoryellCounty.org

BID SHEET AND SPECIFICATIONS

Item	Description	Bid Amount
Single Box Culvert	7' x 10' x 24'	
Clear Span Bridge	20'	
Clear Span Bridge	30'	
Clear Span Bridge	40'	
Clear Span Bridge	50'	
Clear Span Bridge	60'	

Plan & details attached in this document. 6 pages, one page for each bid item.
County will provide demo of existing structures and roadway.
Approaches and roadbed work will be completed by Coryell County.
Fill materials will be supplied by Coryell County.
Contractor to provide steel and concrete materials.
Steel headwall substitution maybe approved with prior approval.

Submitted by:

Company Name: _____

Signature: _____ Title: _____

Print Name: _____ Date: _____

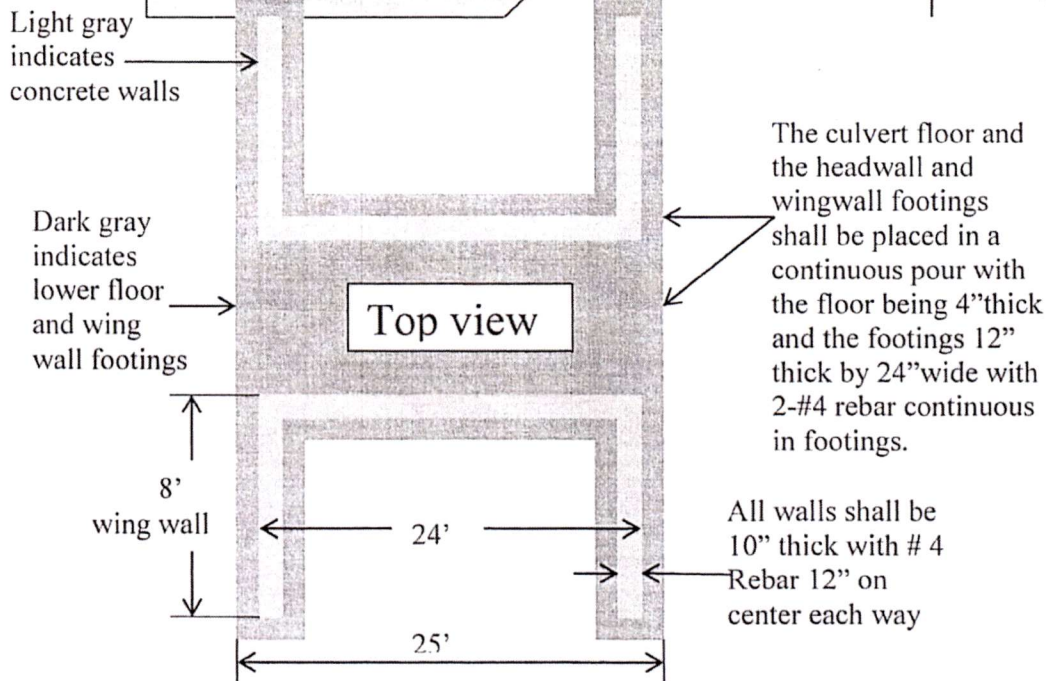
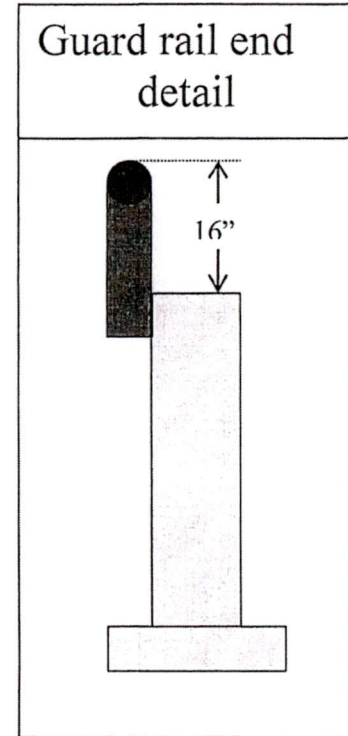
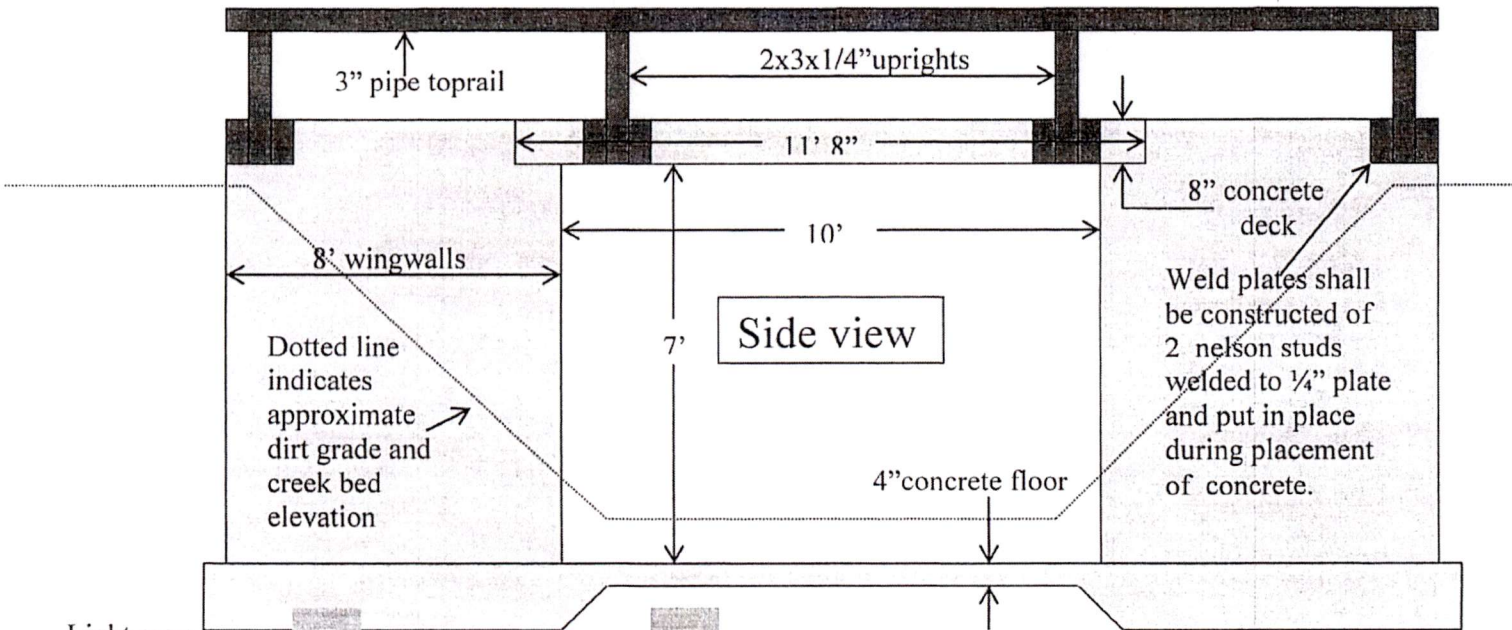
Address: _____

Phone Number: _____ Fax Number: _____

Email: _____

This agreement is nonexclusive and in no way restricts the County's ability to competitively bid for the same or similar materials and services or the County's sole discretion to contract for such materials and services with other contractors.

Plans and specs for 7'x10'x24' concrete box culvert

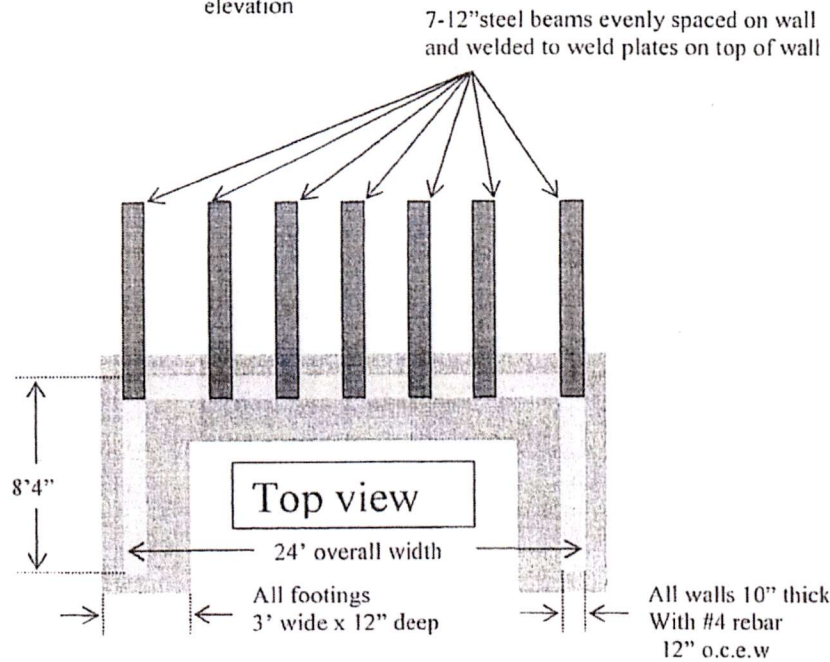
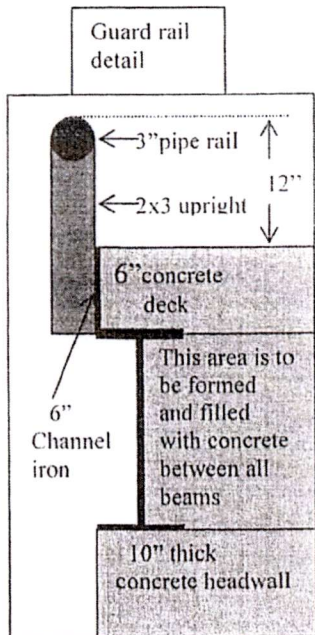
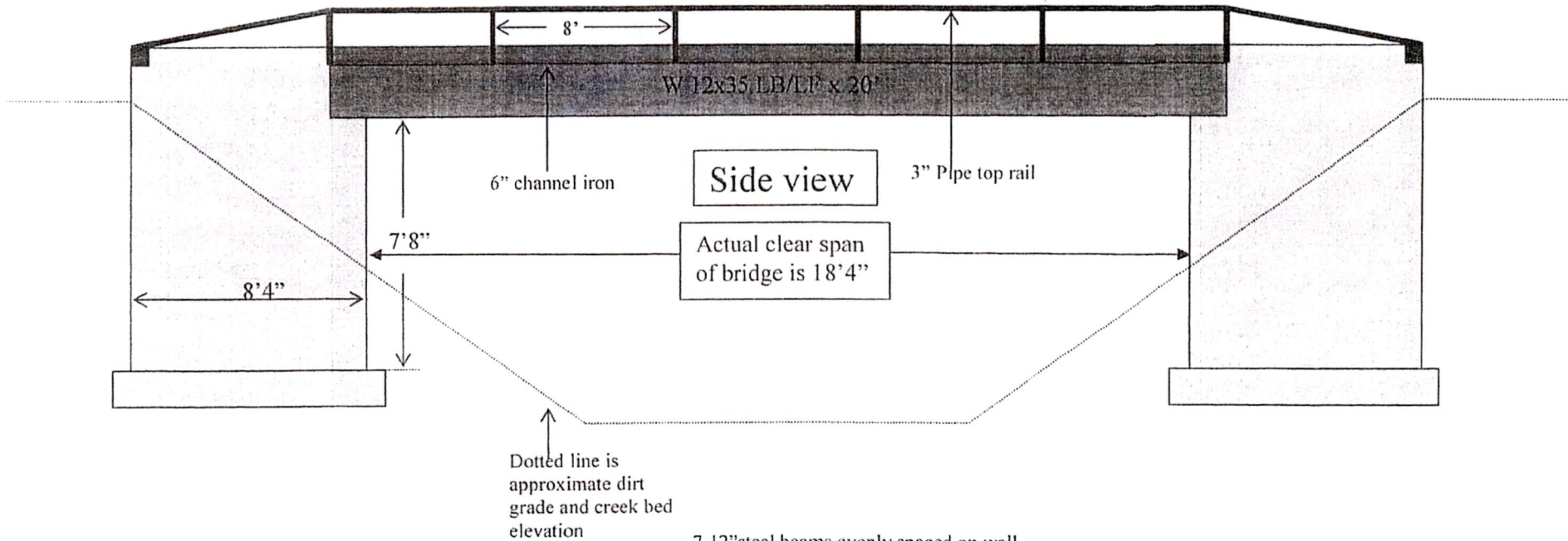


Specs for 7x10x24' box culvert

Concrete: all concrete shall be a minimum 4000# 6 sack mix.

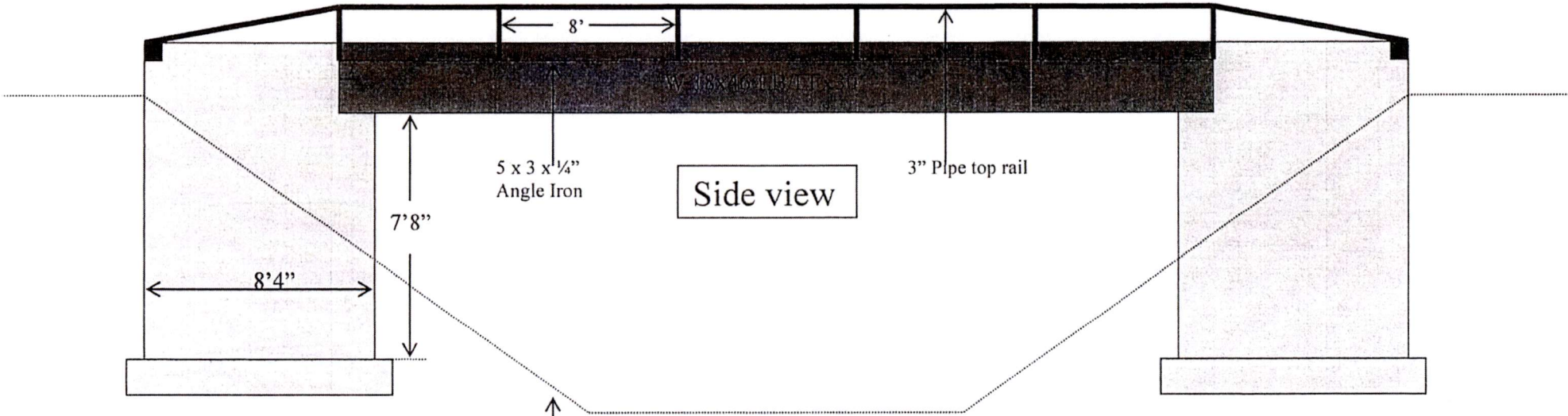
Walls: Head wall and wing walls on each side of Culvert shall be placed in a continuous pour. All walls shall have #4 rebar 12" on center each way . Upright rebar shall protrude at least 4" into floor and 4" into top deck continuous.

Deck: Deck shall be 8" thick with 2 rebar mats. Bottom mat shall have #6 rebar 9" on center parallel with traffic flow and #4 rebar 12" on center the other way this mat shall be placed in bottom 2" of deck. Top mat shall be #4 rebar 12" o.c.e.w. this mat shall be placed in the top 2" of deck.

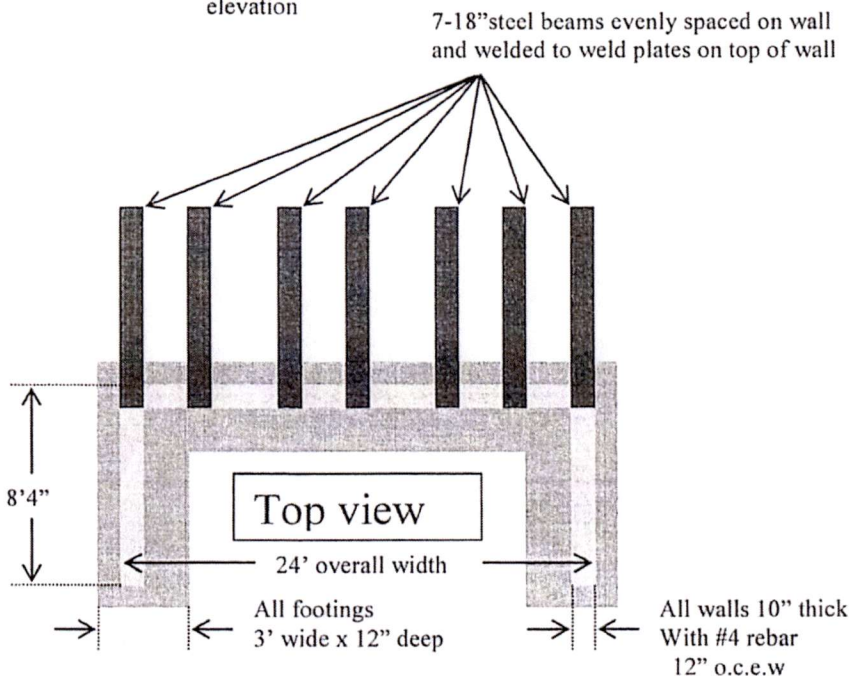
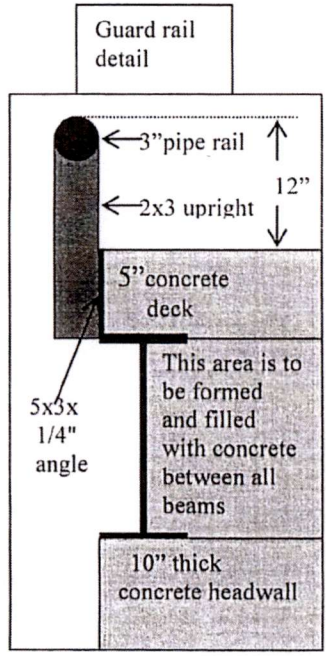


Plans and specs for 20'x24' Clear span bridge

Beam specs: W 12x35 LB/LF x 20ft.
 Concrete: All concrete shall be 4000# 6 sack mix
 Rebar: All walls and deck shall have #4 Grade 60
 Rebar mats 12\" on center each way
 Deck: Deck shall be formed with 6\" channel iron welded to outer edge of Beam around the perimeter creating a 24' wide x 20' long concrete deck 6\" thick
 Guard rail: 2x3x1/4\" angle iron uprights shall be welded to 6\" side angle and notched on top to fit 3\" pipe top rail with a maximum height of 12\" from top of deck to top of pipe rail. Pipe rail shall be angled from last upright to weld plate on wing wall.

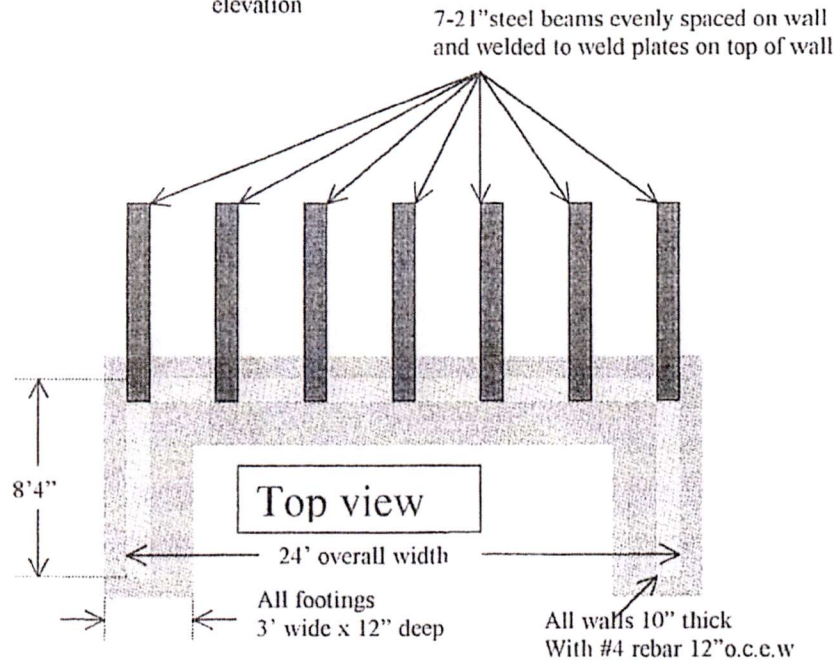
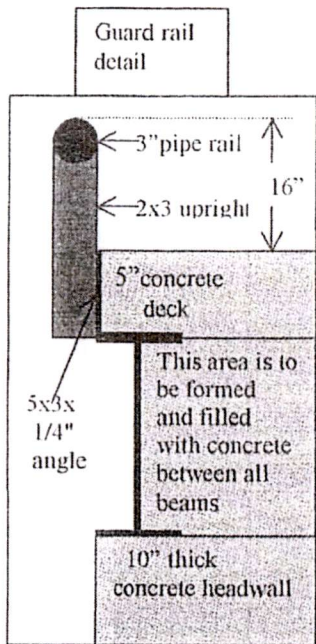
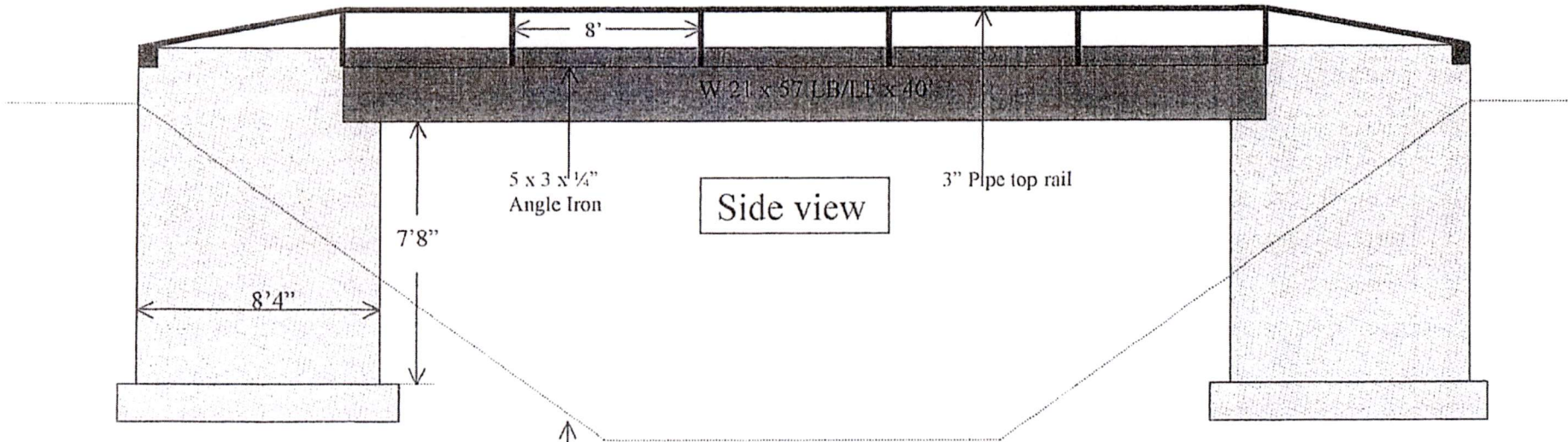


Dotted line is approximate dirt grade and creek bed elevation



Plans and specs for 30'x24' Clear span bridge

Beam specs: W 18x46 LB/LF x 30ft.
 Concrete: All concrete shall be 4000# 6 sack mix
 Rebar: All walls and deck shall have #4 Grade 60 Rebar mats 12" on center each way
 Deck: Deck shall be formed with 5x3x1/4" Angle iron welded to outer edge of Beam around the perimeter creating a 24'x30' concrete deck 5" thick
 Guard rail: 2x3x1/4" angle iron uprights shall be welded to 5x3 side angle and notched on top to fit 3" pipe top rail with a maximum height of 12" from top of deck to top of pipe rail. Pipe rail shall be angled from last upright to weld plate on wing wall.



Plans and specs for 40'x24' Clear span bridge

Beam specs: W 21x 57LB/LF x 40ft.

Concrete: All concrete shall be 4000# 6 sack mix

Rebar: All walls and deck shall have #4 Grade 60

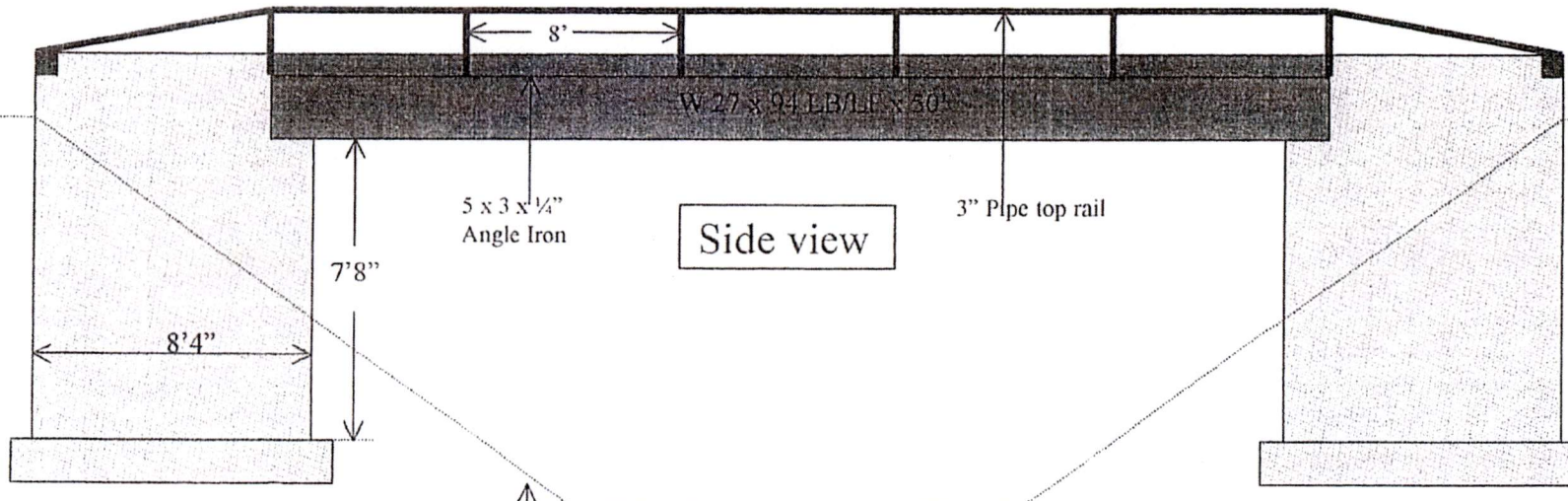
Rebar mats 12" on center each way

Deck: Deck shall be formed with 5x3x1/4 Angle iron welded to outer edge of Beam around the perimeter creating a 24'x40' concrete deck 5" thick

Guard rail: 2x3x1/4" angle iron uprights shall be welded to 5x3 side angle and notched on top to fit

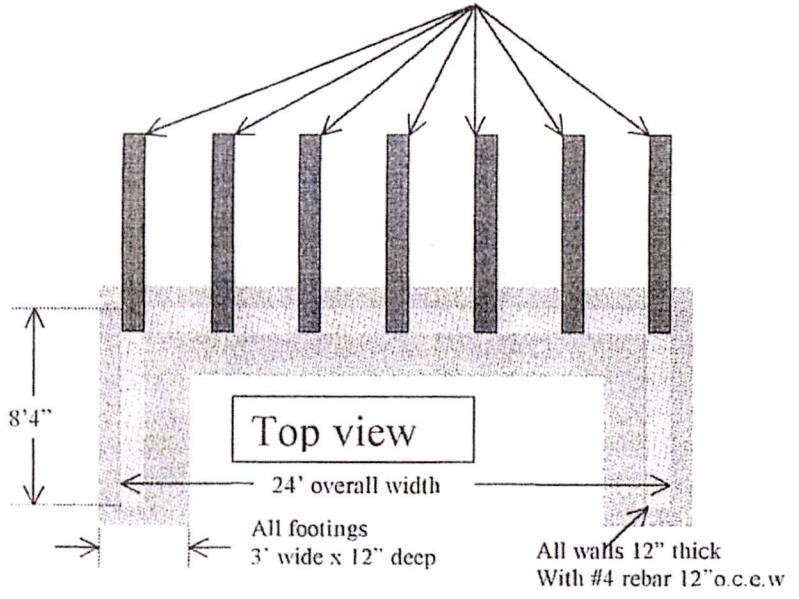
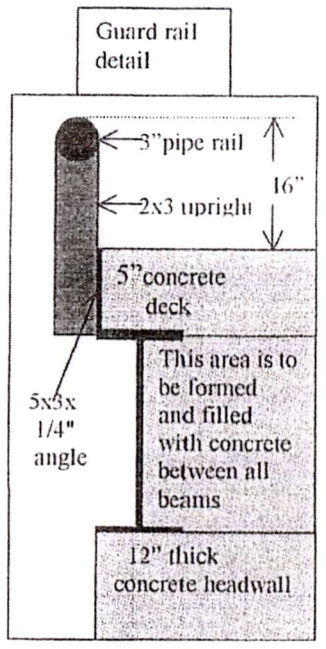
3" pipe top rail with a maximum height of 16" from top of deck to top of pipe rail. Pipe rail shall be

angled from last upright to weld plate on wing wall.



Dotted line is approximate dirt grade and creek bed elevation

7-27" steel beams evenly spaced on wall and welded to weld plates on top of wall



Plans and specs for 50'x24' Clear span bridge

Beam specs: W 27 x 94LB/LF x 50ft.

Concrete: All concrete shall be 4000# 6 sack mix

Rebar: All walls and deck shall have #4 Grade 60

Rebar mats 12" on center each way

Deck: Deck shall be formed with 5x3x1/4 Angle iron welded to outer edge of Beam around the perimeter creating a 24'x50' concrete deck 5" thick

Guard rail: 2x3x1/4" angle iron uprights shall be welded to 5x3 side angle and notched on top to fit 3" pipe top rail with a maximum height of 16" from top of deck to top of pipe rail. Pipe rail shall be angled from last upright to weld plate on wing wall.